

Cold Stretched Rebar in Coils



LIBERTY Ostrava
www.libertysteelgroup.com



MEMBER OF



LIBERTY Ostrava is an integrated steel business with an annual production capacity of approximately 3.6 million tonnes serving construction, machinery and oil & gas industries.

The company is a domestic leader in the manufacture of road barriers and tubes. In addition to the Czech market, it supplies its products to more than 40 countries around the world. Together with its subsidiaries in Ostrava, the company has 6,000 employees. The company

manufactures its products with a minimum possible environmental footprint. It is part of LIBERTY Steel Group, which is part of GFG Alliance, a collection of global businesses and investments owned by Sanjeev Gupta and his family. The Alliance is structured into three core industrial pillars: LIBERTY Steel Group, ALVANCE Aluminium Group and SIMEC Energy Group. Headquartered in London, GFG Alliance employs 35,000 people, across 10 countries and has revenues of USD \$20bn.

Liberty Ostrava Facilities

- 3 coke oven batteries
- 5 sinter belts
- 3 blast furnaces (2 operational)
- 4 tandem furnaces
- 3 continuous casting machines
- 6 rolling mills (incl. hot-strip mill, big and small Stiefel pipe mills, wire rod mill, heavy section mill, fine & medium section mill)
- Mine support and road barrier lines

Main Products

Hot rolled coils, sheets and strips, road barriers, merchant bars and sections, wire rods, tubular steels, mine supports, engineering products, transformer cores, threaded bars, rebars, hot rolled spring steel flat bars

Key Markets

Construction, machinery and automotive

Certification

ISO 9001

ISO 14001

OHSAS 18001

ISO 50001



Actual certificates are available on the link:

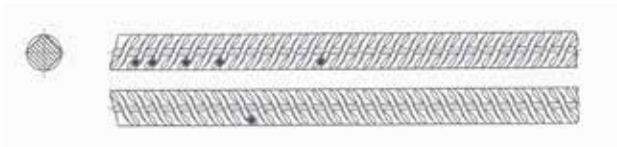
<https://libertyostrava.cz/produkty-a-sluzby/certifikace-vyrobku.aspx>

Cold Stretched Rebar in Coils

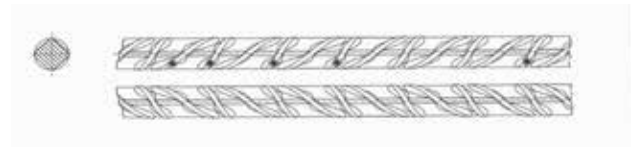
B500B according to EN 10080 and standards or technical specifications of the Czech Republic, Germany, Poland, Slovakia, **B500SP** according to PN-H-93220:2018

Hot rolled reinforcing steel in coils processed by cold stretching, fully weldable.
For construction and Cut & Bend application.

B500B



B500SP



Chemical composition, heat analysis [w%]

| C | P | S | Cu | Ceq |
|--------|---------|---------|------------------|--------|
| ≤ 0,22 | ≤ 0,050 | ≤ 0,050 | ≤ 0,60 (≤ 0,80*) | ≤ 0,50 |

*B500SP

B500SP - Mn, N, Si content according to PN-H-93220:2018.

Characteristic mech. values of reinforcing steel in coils

| Grade | B500B | B500SP |
|----------------|-------|-----------|
| Re [MPa] (min) | 500 | 500 |
| Rm/Re (min) | 1.08 | 1.15-1.35 |
| Agt [%] (min) | 5.0 | 8.0 |

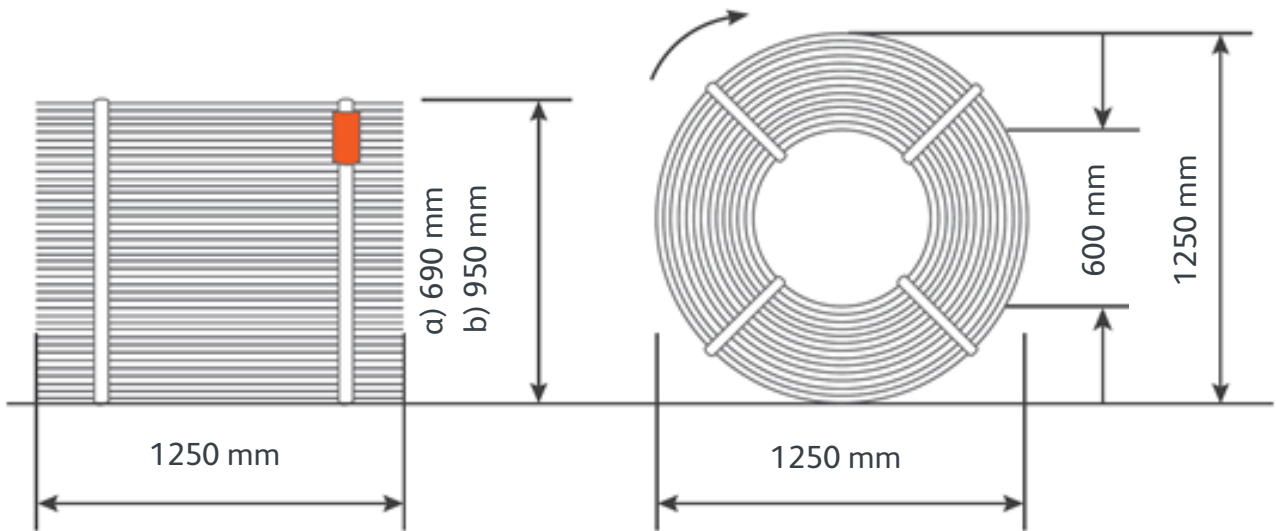
Rebar in Coils



Cold Stretched Rebar in Coils continued...

| | | | |
|-----------------------|---|---------------------|---------------------|
| Core Shape | Square | | |
| Coil Weight | 1.5 up to 5.0 t | | |
| Coil Diameter | Internal dia. 600 mm / External dia. max. 1250 mm | | |
| Coil Height | 1.5 t - 3.0 t | a) 690 mm | |
| | 3.0 t - 5.0 t | b) 950 mm | |
| Nominal Metric Weight | 8mm - (0.395 kg/m) | 10mm - (0.617 kg/m) | 12mm - (0.888 kg/m) |

Average Coil Design



Contact with the mill

Europe

Liberty Commercial Czech Republic k.s.
Vratimovská 689/117, 719 00 Ostrava (CZ)

ID: 05433266

VAT: CZ05433266

E: sales.ostrava@libertysteelgroup.com
T: +420 595 682637

www.libertyostrava.cz

Liberty Commercial Germany GmbH
Am Brüll 17, 40878 Ratingen (DE)

Liberty Commercial PL Sp. z o.o.
ul. Francuska nr. 36, 40-506 Katowice (PL)

For further information visit www.libertysteelgroup.com

